

TSA 54

Engine-mounted compressor

TSE 54

Engine-mounted compressor or
electric mode



THERMO STAR

The best refrigeration technology for transportation

www.thermostar.com.br

Company with ISO 9001:2015 Certified Management System

Performance do sistema

TSA 54 / TSE 54

TSA 54 / TSE 54

Return air to the evaporator	
2 °C = 12.700 BTU/h -18 °C = 11.530 BTU/h -29 °C = 10.700 BTU/h	2 °C = 12.900 BTU/h -18 °C = 11.730 BTU/h -29 °C = 10.900 BTU/h
Coupled compressor	
Model: Heavy Duty 7H15 Number of cylinders: 7 Displacement: approx. 160 cm ³	
Electric compressor	
Not available	Type: semi-hermetic Voltage: 220V/380V - 60 Hz Power: 2 hp
Voltage options	
Coupled: 12 ou 24 VCC	
Equipment consumption	
Coupled 12 VCC: 40 A 24 VCC: 20 A	Coupled 12 VCC: 40 A 24 VCC: 20 A Electric 220V: 16,5 A 380V: 10,2 A
Defrost	
Automatic hot gas	
Compressor lubrication	
Oil separator	
Refrigerant gas	
Type: HFC R-404A Charge approx. 2,0 kg	
Evaporator	
Airflow: 2.400 m ³ /h	
Total weight	
95,2 kg	167,5 kg

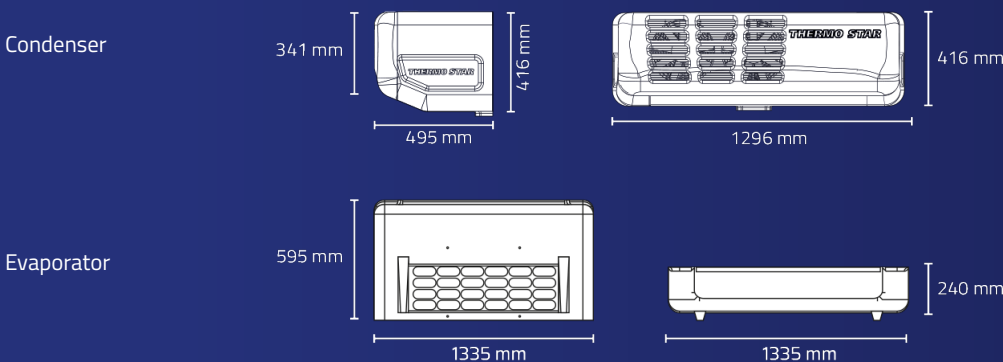
- Compact evaporator for greater space savings.
- Refrigerant: HFC R-134a.
- External remote power outlet.
- Protection against electric motor overload.
- Illuminated controller buttons.
- Automatic voltage selector: 220/380V.
- Diagnostic protection indicators.
- Scheduled defrost interval.
- Digital display (controller in the cabin).
- Return air temperature.
- Automatic defrost control.
- High and low refrigerant pressure protection.
- Liquid tank pressure safety valve.
- Low noise, allowing operation at any time.
- High capacity and airflow for maximum cargo protection.
- Easy-to-use microprocessed control.
- Flexibility for use in medium to large trucks, with three electrotfans in the evaporator.
- Extended lifespan and cost-effective maintenance.

Standardized features

Equipment model	Box insulation	Box size								
		2 m 4 m ³	2,80 m 8 m ³	3,50 m 12 m ³	4,20 m 15 m ³	5 m 20 m ³	6,50 m 35 m ³	7,50 m 42 m ³	8,40 m 48 m ³	9,40 m 54 m ³
TSA 54 / TSE 54 (gás R-404A)	80 mm	-	-	-20 °C	-20 °C	-20 °C	-15 °C	-10 °C	-10 °C	-

Consider temperatures for a new box with polyurethane insulation, density 36/40 kg/m³. Test temperature: 36 °C

Dimensions



THERM STAR

The best refrigeration technology for transportation

+55 (47) 3307 1100 | www.thermostar.com.br

thermostarbr
 thermostarbr
 thermostarbr
 thermostarbr