

TSA 64

Compressor coupled to the
vehicle engine

TSE 64

Compressor coupled to the vehicle
engine or electric mode



THERM STAR

The best refrigeration technology for transportation

www.thermostar.com.br

Company with ISO 9001:2015 Certified Management System

System performance

TSA 64 /TSE 64

TSA 64		TSE 64	
Return air to the evaporator			
2 °C = 13.030 BTU/h -18 °C = 12.100 BTU/h -29 °C = 11.235 BTU/h			
Coupled compressor			
Model: Heavy Duty 7H15 Number of cylinders: 7 Displacement: approx. 160 cm ³			
Voltage options			
Coupled: 12 e 24 Vcc		Coupled: 12 e 24 Vcc / Eletric: 220 e 380 Vca 3~	
Equipment consumption			
Coupled 12 Vcc: 34A 24 Vcc: 20A		Coupled 12 Vcc: 34A 24 Vcc: 20A Eletric 220 Vca: 33A 380 Vca: 18A	
Defrost			
Automatic hot gas			
Compressor lubrication			
Oil separator			
Refrigerant gas			
Type: HFC R-404A Charge: approximately 2.4 kg		Type: HFC R-404A Charge: approximately 2.0 kg	
Evaporator			
Airflow: 2,400 m ³ /h			
Total weight			
92,1 Kg		161,6 kg	

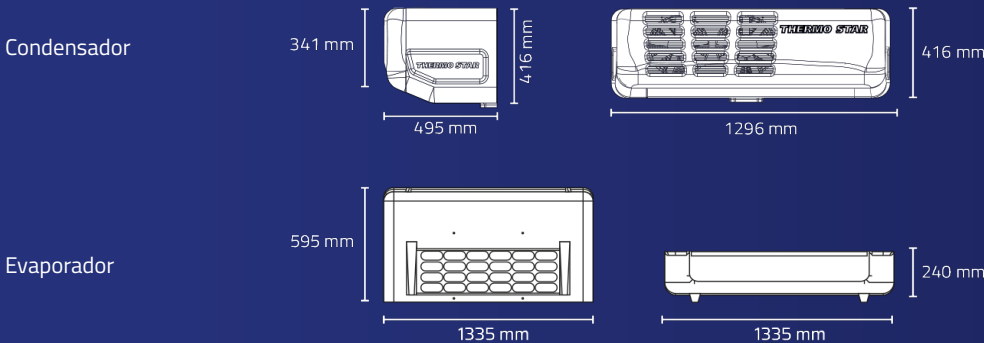
- Compact evaporator for space-saving efficiency;
- Refrigerant: HFC R404A;
- Illuminated controller keys;
- Diagnostic indicators for protection;
- Scheduled defrost interval;
- Digital display (controller in the cabin);
- Return air temperature;
- Automatic defrost control;
- High and low refrigerant pressure protection;
- Liquid tank safety valve;
- Low noise enabling operation at any time;
- High capacity and airflow for maximum cargo protection;
- Easy-to-operate microprocessed control;
- Flexibility for use in medium to large trucks, with three electrofans in the evaporator;
- Extended lifespan and maintenance with better cost-effectiveness;
- 20,000-hour electrofans.

Standardized features

Equipment model	Cargo compartment insulation	Cargo compartment size								
		2 m 4 m ³	2,80 m 8 m ³	3,50 m 12 m ³	4,20 m 15 m ³	5 m 20 m ³	6,50 m 35 m ³	7,50 m 42 m ³	8,40 m 48 m ³	9,40 m 54 m ³
TSA 64/TSE 64 (gás R-404A)	80 mm	-	-	-20 °C	-20 °C	-20 °C	-18 °C	-15 °C	-10 °C	-

Considering temperatures for a new cargo compartment with polyurethane insulation, density 36/40 kg/m³. Test temperature: 36°C.

Dimensões



THERM STAR

A melhor tecnologia em refrigeração para transporte

47 3307 1100 | www.thermostar.com.br

thermostarbr
 thermostarbr
 thermostarbr
 thermostarbr

Technical data, photos, illustrations, and arguments included in this catalog are for informational purposes and are subject to change.